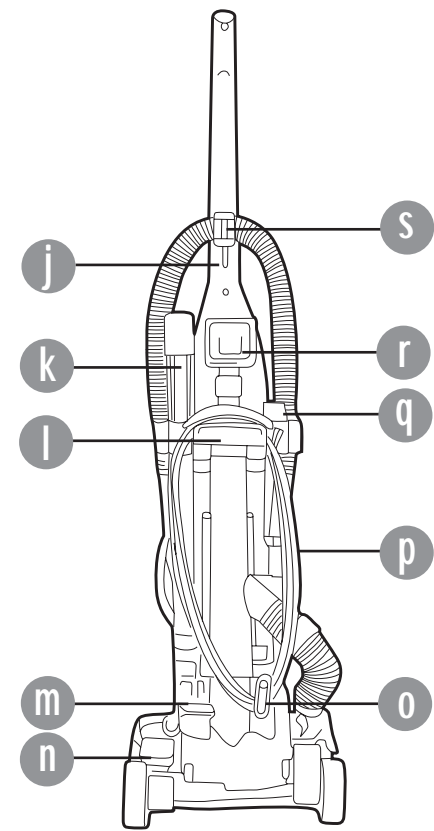
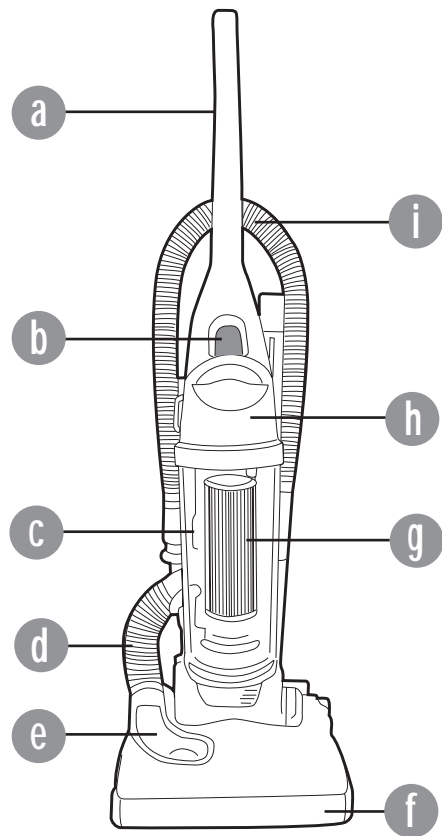


Parts checklist

2



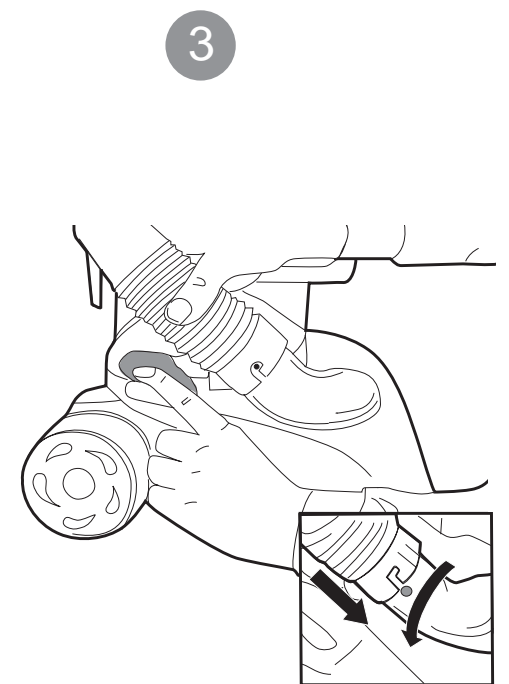
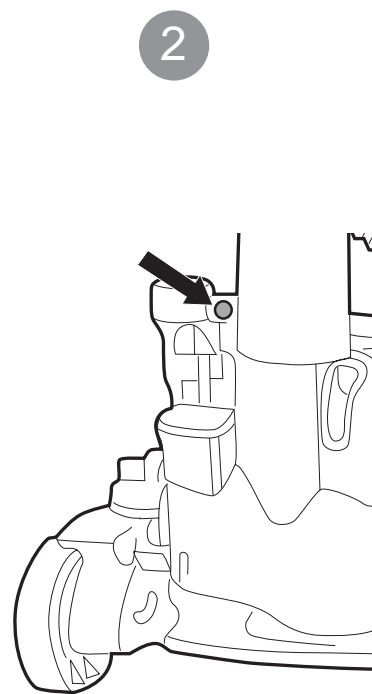
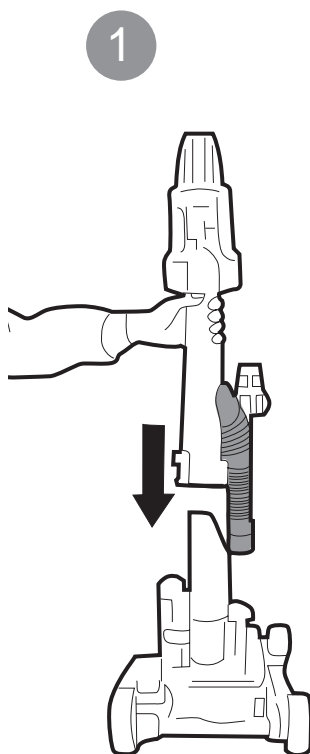
- a Handle
- b Canister release latch
- c See through dust canister
- d Lower hose
- e Clear window
- f Bumper bar
- g Filter
- h Canister lid
- i Main hose

- j Cord clip
- k Extension wand
- l Carrying handle/ Cord wrap
- m On/Off pedal
- n Handle release pedal
- o Cord wrap with quick release
- p Power cord
- q Crevice tool
- r 2-in-1 Tool - Dust brush/ Upholstery tool
- s Hose bracket

Putting your cleaner together

Phillips screwdriver required

3



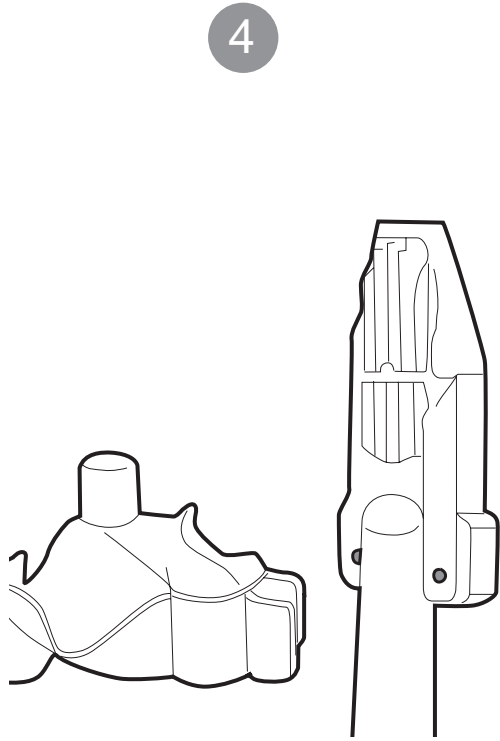
Place the base of the cleaner so it is facing away from you. Position the body so that the lower hose is on your right hand side. Push the body down into place.

To secure the body in place insert one of the screws supplied into the back of the cleaner, through the hole located above the on/off pedal.

Pull back the flap on the clear window. Match the slots on the hose to the tabs on the hose inlet. Push down firmly on the cuff and turn anti-clockwise to lock in place.

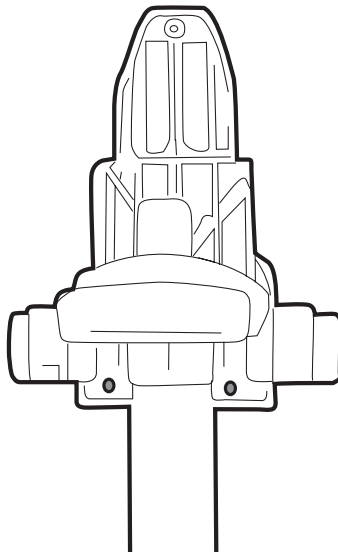
Putting your vacuum cleaner together

4



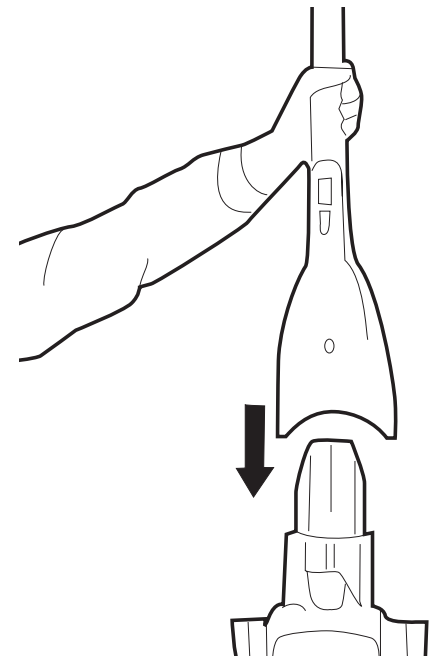
Align the holes in the tool holder, with the holes on top of the body.

5



Use two of the screws supplied to secure the tool holder in place. Do not over tighten.

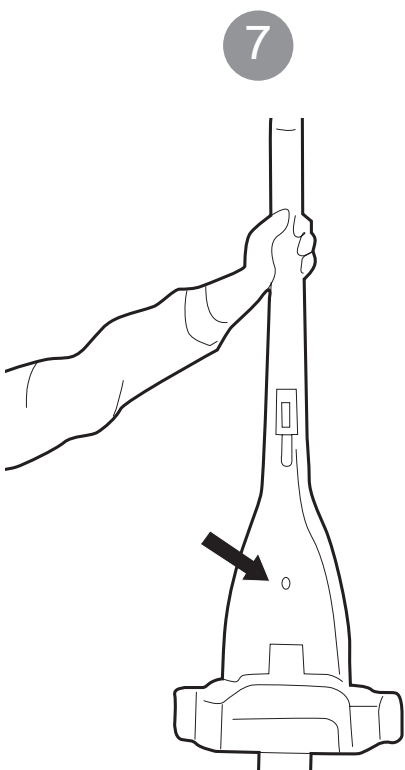
6



With the hose clip on the handle facing you place it onto the top of the body of the cleaner.

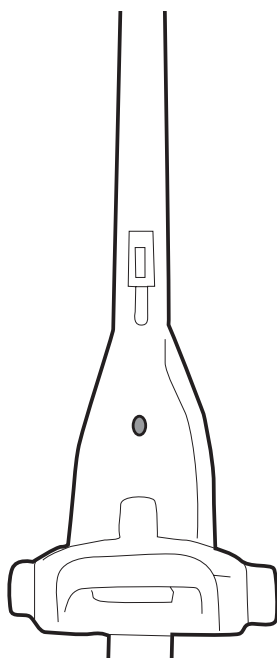
Putting your vacuum cleaner together

5



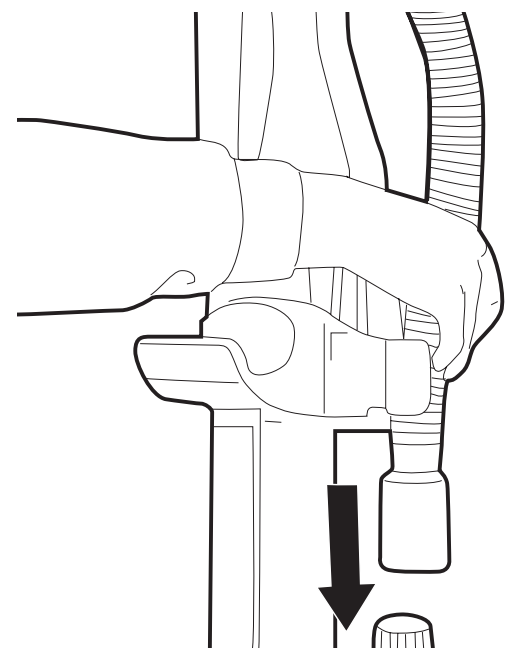
Push down firmly and line up the screw hole on the rear of the handle.

8



Use one of the screws supplied to secure the handle on the body.

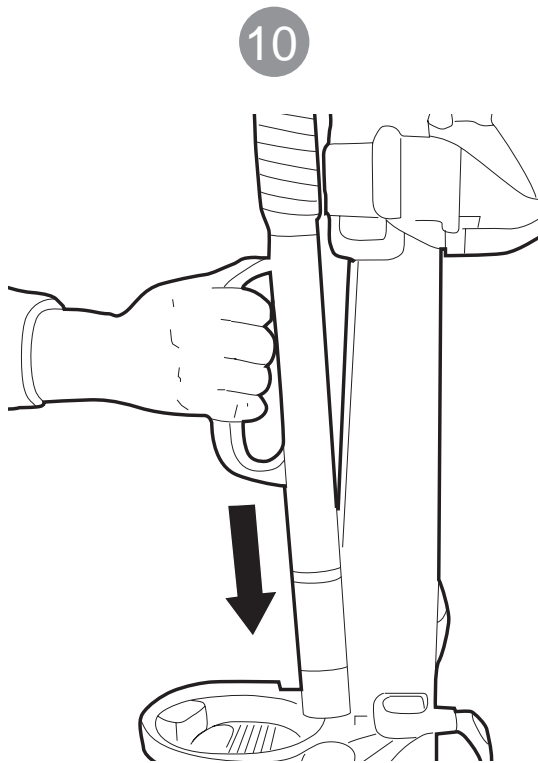
9



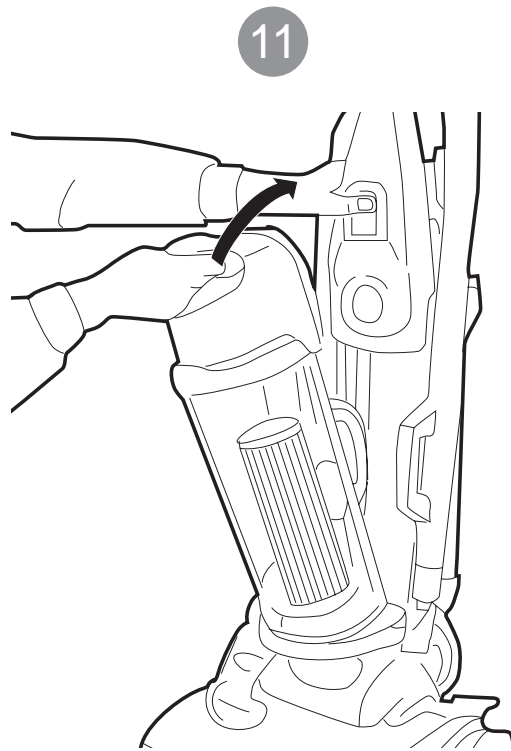
Insert the small end of the main hose into the tool holder on the right hand side.

Putting your vacuum cleaner together

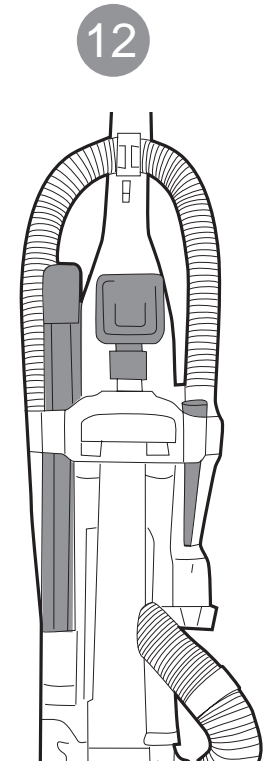
6



Using the handle attach the main hose into the left hand side of the cleaner. Press down firmly to secure in place. The main hose can then be secured in the top and side of the tool holder.



Push the canister lid firmly on top of the dust canister and place it onto the cleaner. The canister lid will snap into place in the body of the cleaner.

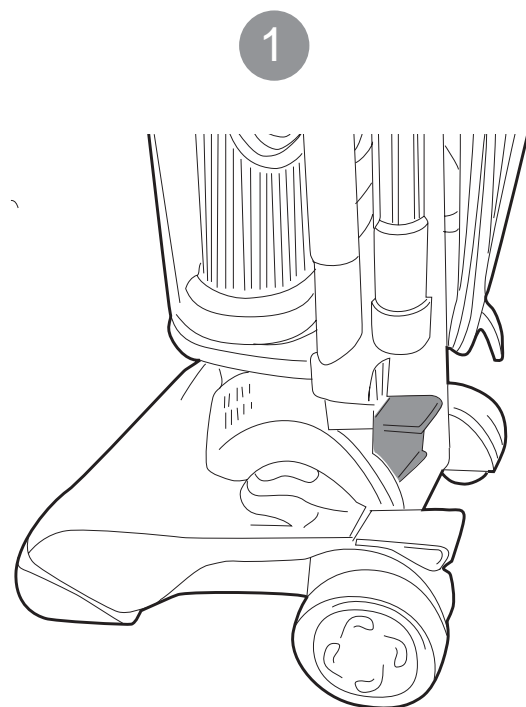


Attach the tools to the tool holder. The 2 in 1 tool fits over a post at the back of the vacuum cleaner. The crevice tool fits into a round slot on the rear right hand side of the tool holder. The extension wand hose on the left hand side.

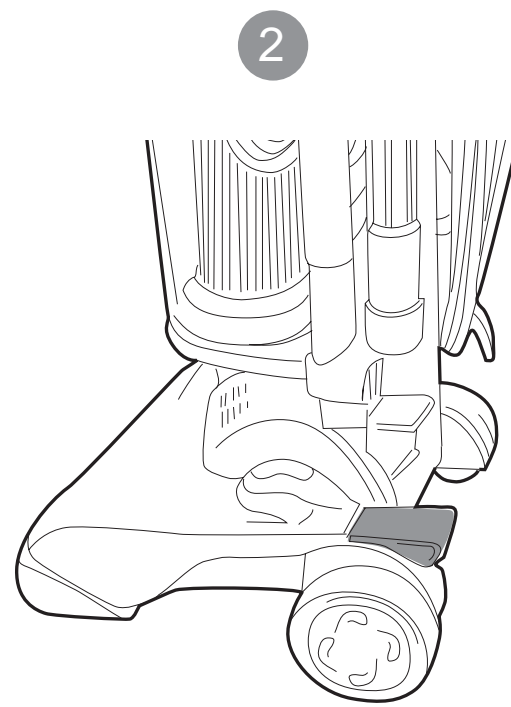
Operating the vacuum cleaner

Cleaning carpets or hard flooring

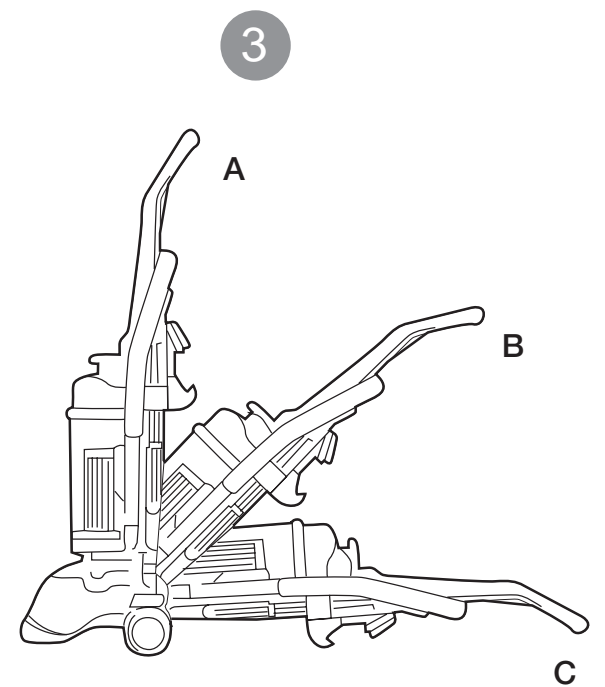
7



Plug the cord into an electrical outlet and turn on by pressing the on/off pedal, located on the back left of the cleaner.



To unlock the handle from the upright position press the handle release pedal down.

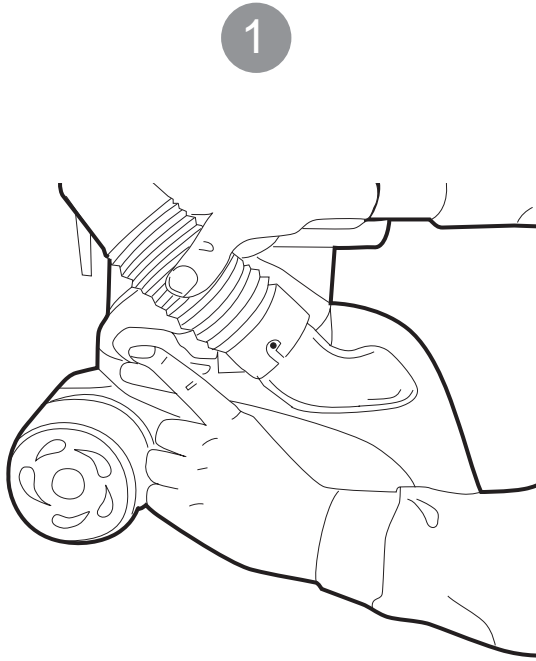


Move the handle to the desired position (A) for storage and position (B) for normal operation. To clean under furniture, press the release pedal again and use position (C).

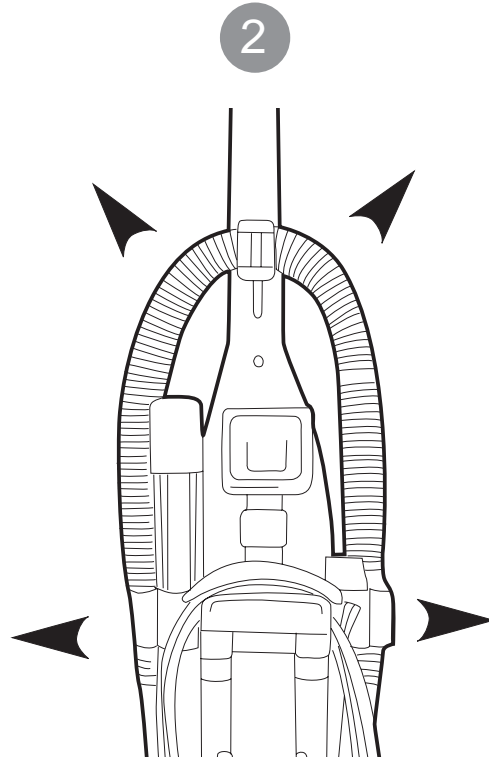
Operating the vacuum cleaner

Cleaning upholstery

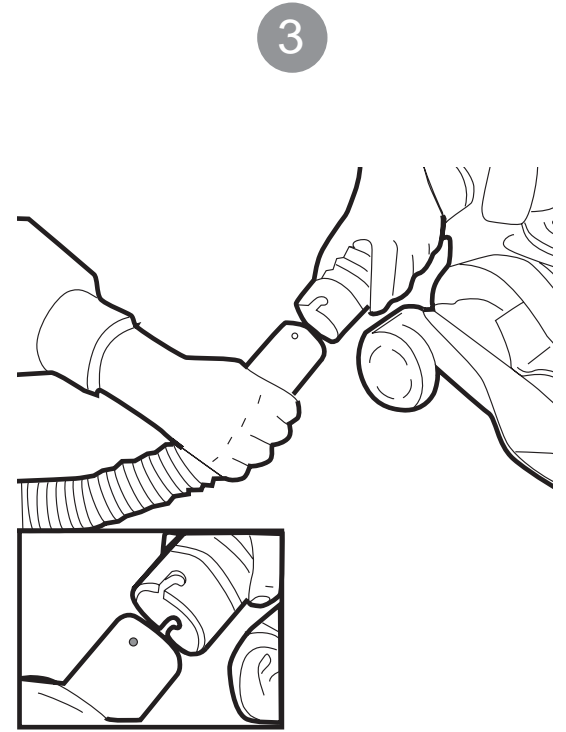
8



1
Make sure the vacuum cleaner has been switched off and is in an upright position. Remove the lower hose by twisting clockwise and pulling away from the base of the cleaner.



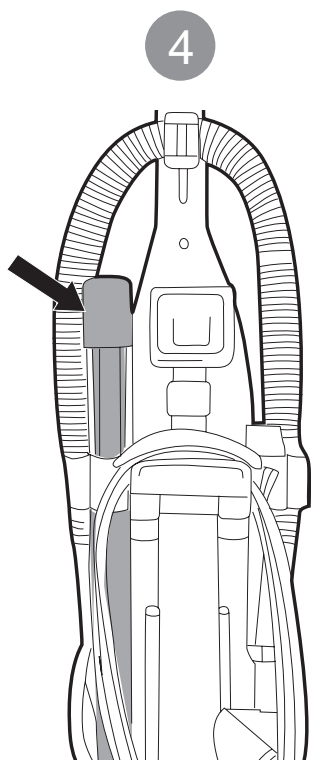
2
Remove the hose from the tool Holder.



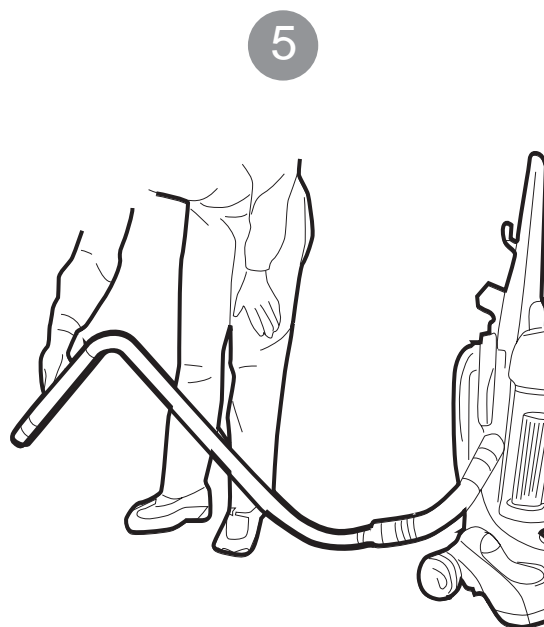
3
Slide the hose into the lower hose with the tab facing upwards twist together to secure.

Operating the vacuum cleaner

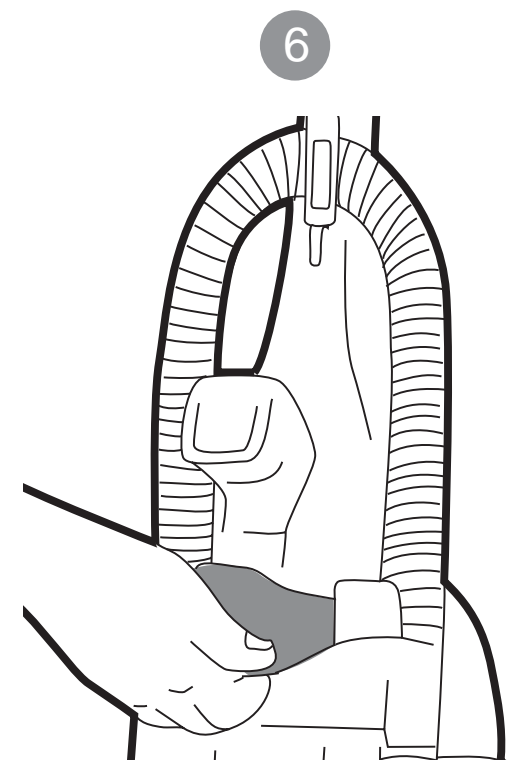
9



4
For hard to reach area's when additional hose length is required, use the extension wand. It fits over the end of the hose handle.



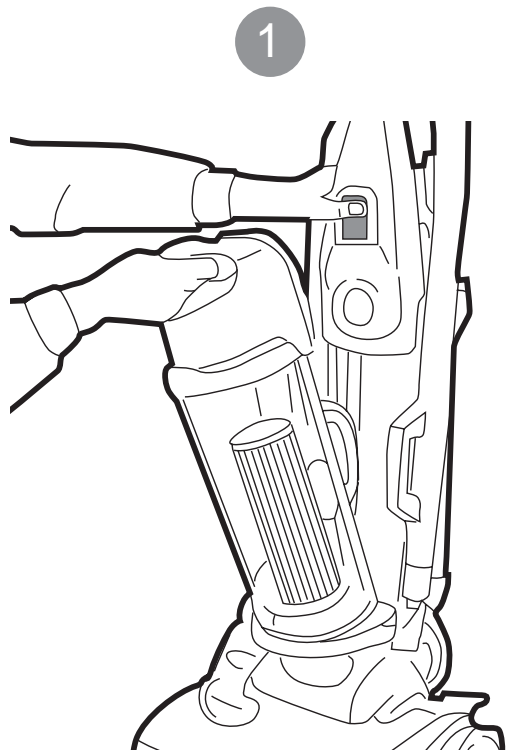
5
Choose the accessory that suits your need or use the hose alone. To fit the attachments push them firmly on to the end of the extension wand or hose handle. To remove the tool, twist and pull apart gently.



6
When moving from one room to another use the carrying handle at the rear of the vacuum cleaner.

Emptying the dust canister

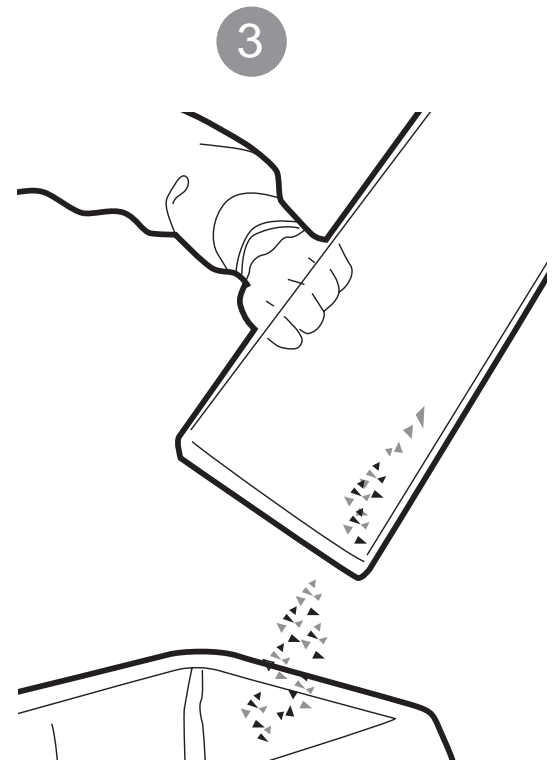
10



1 Make sure the vacuum cleaner has been switched off and unplugged from the mains supply. To remove the dust canister from the vacuum cleaner press the release catch and pull it forward.



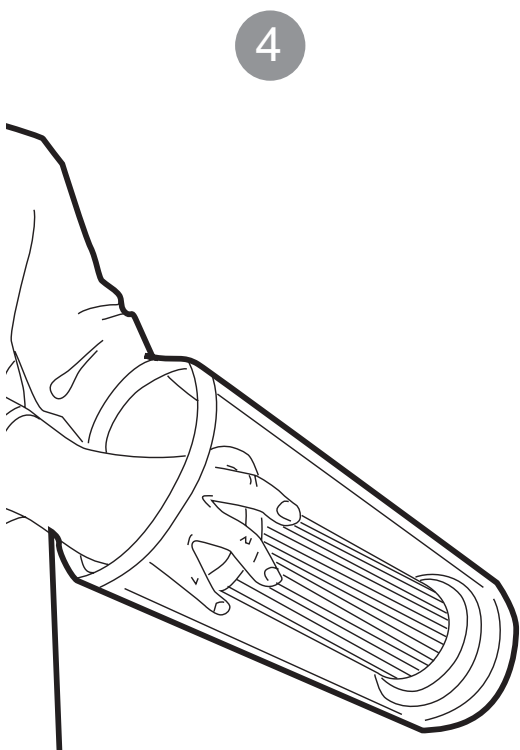
2 To remove the lid of the dust canister hold the top and the side handles firmly and turn the lid anti-clockwise. Pull the lid away from the body of the dust canister.



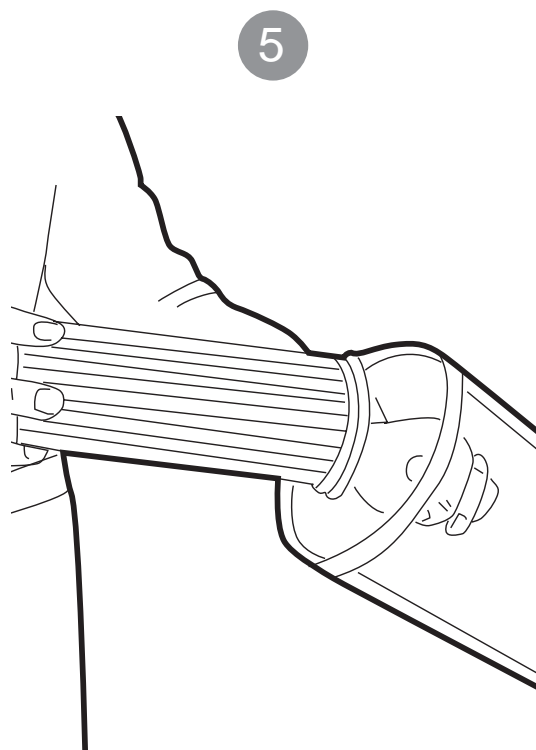
3 Empty the all the dust and dirt from the dust canister.

Emptying the dust canister

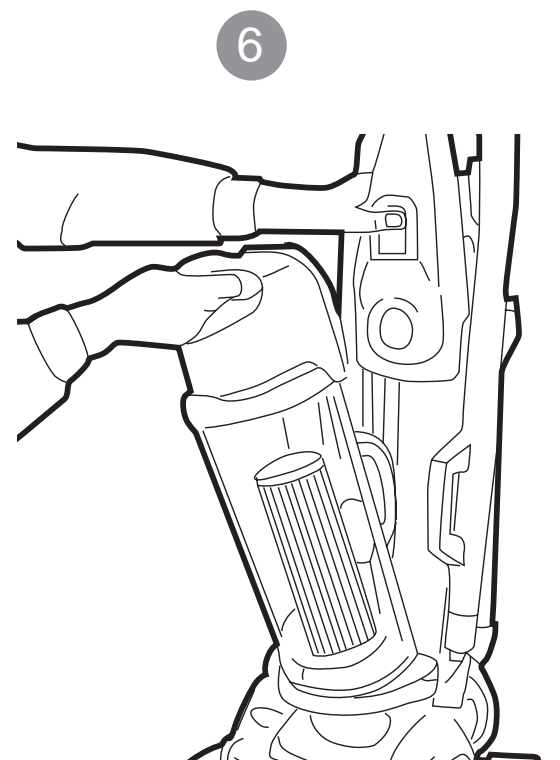
11



4 The filter inside the dust canister should not need replacing but it should be cleaned each time the dust canister is emptied. Remove it by grasping the ring at the top of the filter.

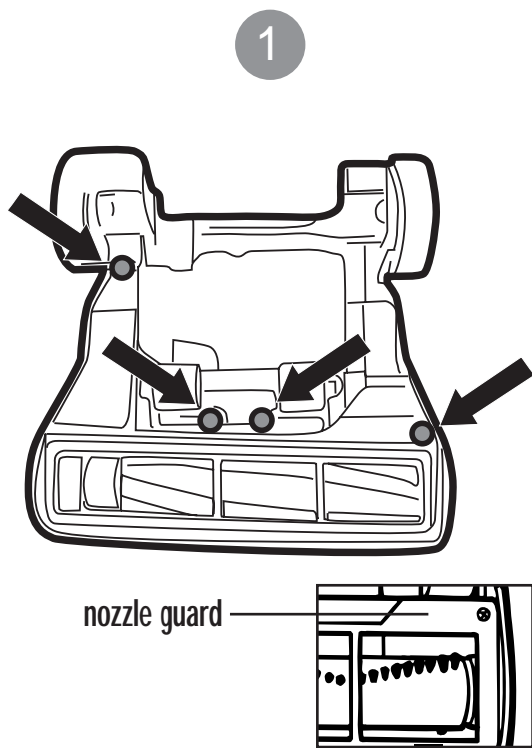


5 Twist and pull the filter out. To clean it, tap it gently against the side of a dustbin. Do not use a brush to clean it as this may damage the filter. Do not wash the filter.



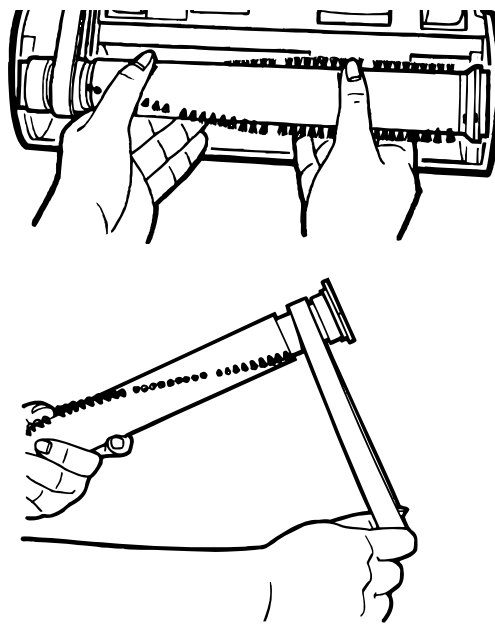
6 Replace the filter into the dust canister. Push it firmly into place to prevent dust and dirt leaking out. Replace the canister lid turning clockwise and return the dust canister to the body of the vacuum cleaner

12

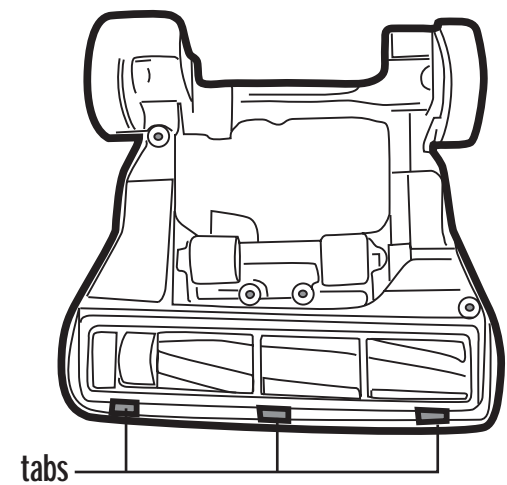


nozzle guard

2



3



tabs

Unplug the vacuum cleaner from the mains supply. Press the handle release button and turn the vacuum cleaner over so that the base lies flat and face up. Use a screwdriver to remove the four retaining screws shown above. Remove the nozzle guard.

Lift and remove the brush bar, then slide the belt off the motor shaft and dispose of it. Place a new belt on the motor shaft and then slip the brush bar through the belt.

The belt should sit on the end of the brush bar with no bristles against the end cap. Re-fit the brush bar. Ensure the end caps are in the correct position. Rotate the brush bar to check the belt is not twisted. Replace the nozzle guard. Align the tabs and re-fit the screws.

Troubleshooting

Problem

Cleaner won't run

Possible Cause

- Power cord not firmly pushed into a mains socket.
- Blown fuse or tripped breaker.

Possible solution

- Plug cord in firmly.
- Check fuse/breaker. Replace fuse/breaker.

Vacuum won't pick up/loss of suction

- Lower hose not connected properly.
- Dust canister not installed correctly or full.
- Broken or worn belt.
- Clogged filter.
- Nozzle/hose or hose inlet is clogged.

- Refer to page 3 for fitting information.
- See 'Emptying the dust canister'.
- Replace the belt.
- Remove filter and clean.
- Remove nozzle/hose and remove obstruction.

Dust escaping from the Vacuum

- Dust Canister full.
- Dust canister not installed properly.
- Hose not installed correctly.

- Empty dust canister.
- See 'Emptying the dust canister'.
- See 'Putting your vacuum cleaner together'.

13

Safety

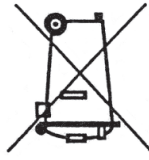
14

- Do not leave the appliance when plugged in. Unplug it from socket when not in use.
- To prevent electric shock do not use outdoors or on wet surfaces.
- Not to be used as a toy. Close supervision is necessary when used by or near children or the infirm.
- Use only as described in this user guide.
- Use only the manufacturer's recommended attachments.
- Do not use with a damaged cord or plug.
- Do not pull or carry by the cord, use the cord as a handle, allow the cord to come into contact with hot or sharp surfaces or close a door on the cord.
- Do not unplug by pulling on the cord.
- Do not handle the plug or appliance with wet hands.
- Do not put any objects into openings or operate with openings blocked, keep them free of anything that may reduce airflow.
- Keep hair, loose clothing, fingers, and all parts of the body away from openings and moving parts.
- Do not vacuum any glowing, burning or smoking particles.
- Do not use without the dust canister and filters in place.
- Turn off all controls before unplugging.
- Use extra care when cleaning on stairs.
- Do not use to pick up flammable or combustible liquids such as petrol, or use in areas where they may be present.
- Keep the vacuum cleaner on the floor, only the hand held tools may be used on furniture.
- Do not use an extension cord with this vacuum cleaner.
- Do not attempt to remove blockages in the hose with sharp objects as they may cause damage.
- Store the vacuum cleaner indoors. Put the vacuum cleaner away after use to prevent tripping accidents.
- Using improper voltage may result in damage to the motor and possible injury to the user. The correct voltage is listed on the ratings plate.

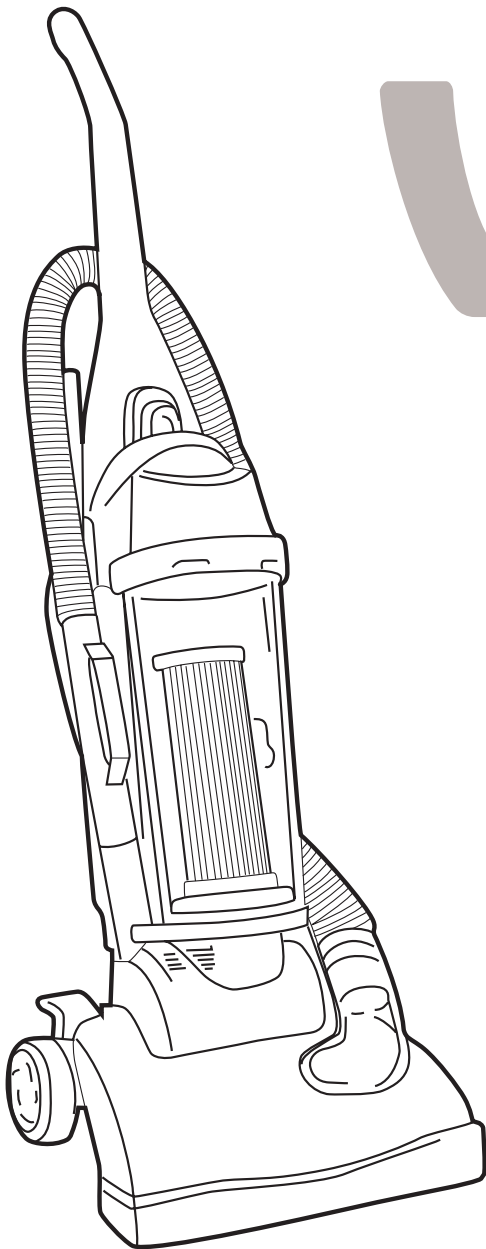
For further information in the UK, call the VAX HELPLINE : 0870 606 1248

VAX Ltd, Kingswood Road, Hampton Lovett, Droitwich, Worcestershire, WR9 0QH, UK.
email: info@vax.co.uk - website: www.vax.co.uk
Version 2

Waste electrical products should not be disposed of with household waste. Please recycle where facilities exist. Check with your Local Authority or retailer for recycling advice.



EEC STATEMENT OF COMPLIANCE
Manufacturer/EEC importer: VAX Limited, hereby on our own responsibility declare that the product: VS-19TL is manufactured in compliance with the following:
Safety: 73/23/EEC Low Voltage Directive as modified by 93/68/EEC
EMC: 89/336/EEC Electromagnetic Compatibility Directive as modified by 93/68/EEC



vax®

Easy Guide VS-19TL

UK SERVICE & HELP - VAX CARE 0870 6061248

Mon-Fri. 9.00am to 5.00pm. An answer phone is available out of these hours. If you have queries or concerns about using your VAX, call the HELPLINE. Calls are charged at the UK national rate. Please make a note of the serial number and model number of your VAX before calling. There are over 400 approved VAX Service Agents in the UK. For your nearest Service Agent please call VAX Care.